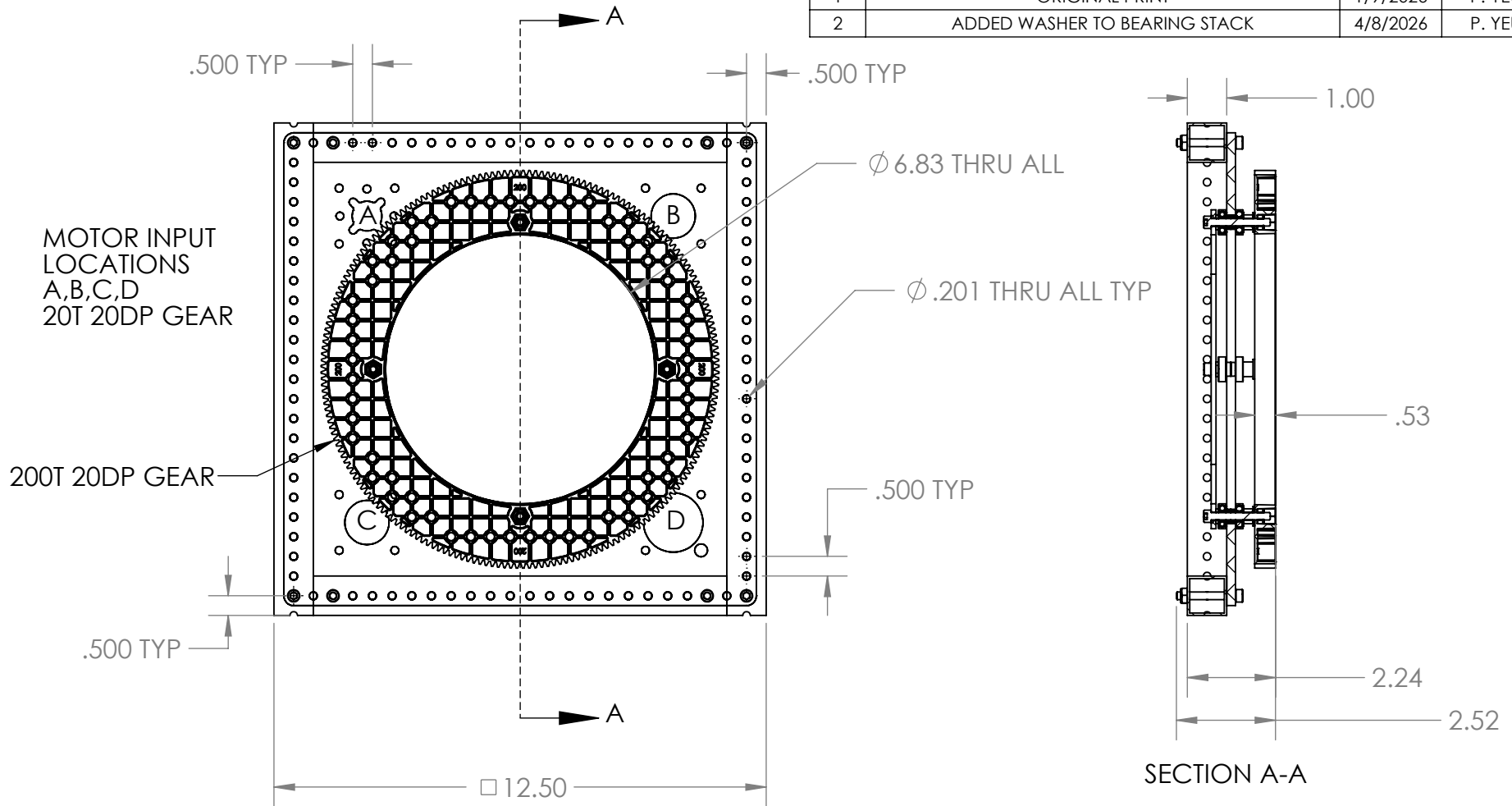
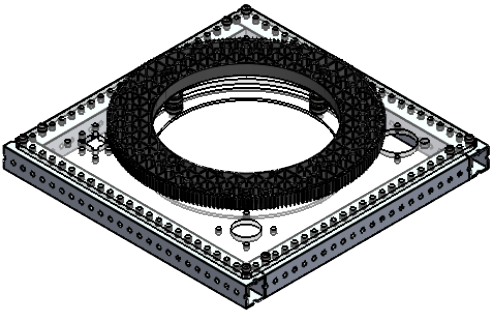


REVISION HISTORY			
REV.	DESCRIPTION	DATE	DRAWN BY
1	ORIGINAL PRINT	1/9/2026	P. YEUNG
2	ADDED WASHER TO BEARING STACK	4/8/2026	P. YEUNG



*** SEE CAD FOR ADDITIONAL TOOLPATH INFO***



UNLESS OTHERWISE SPECIFIED:		COMMENTS:	
DIMENSIONS ARE IN INCHES		DUAL DIMENSIONS ARE IN MILLIMETERS.	
TOLERANCES:		BREAK ALL SHARP EDGES.	
FRACTIONAL	±1/16	CHECKED	NAME
ANGULAR: MACH	±1°	ENG APPR.	NM
ANGULAR: BEND	±5°	MFG APPR.	DATE
ONE PLACE DECIMAL	±0.1	Q.A.	4/8/26
TWO PLACE DECIMAL	±0.01		
THREE PLACE DECIMAL	±0.005		
FOUR PLACE DECIMAL	±0.0005		
MATERIAL	VARIOUS		
DO NOT SCALE DRAWING			



TITLE:
TURRET ASSEMBLY
(6.875IN)

SIZE	DWG. NO.	REV
A	am-5743	2
SCALE: 1:4		SHEET 1 OF 1